

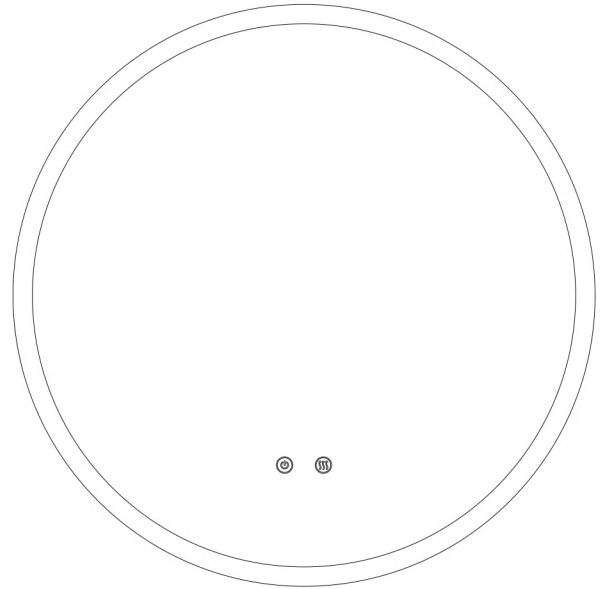


SAFETY INSTRUCTIONS

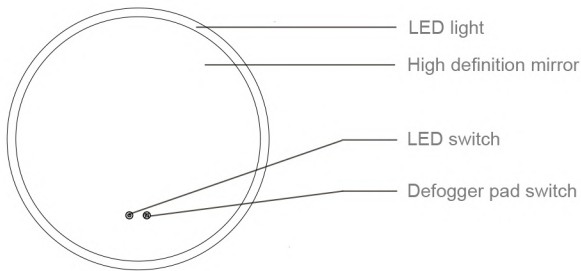
- ⓘ Please read the instructions carefully before using.
- ⓘ Do not disassemble or refit the products.
- ⓘ Press touch sensor button properly.
- ⓘ Handle with care during installation or moving.
- ⓘ Keep the mirror dry; moisture reduces the sensitivity of the product.
- ⓘ Turn off the power before cleaning. The surface of the mirror should be cleaned with glass cleaner; please make sure the mirror is completely dry before using.
- ⓘ Turn off the power and avoid direct sunlight if not used or stored for a long time. Far away from children's access.
- ⓘ Make sure that your charging device is adequate for the mirror voltage rating before using.
- ⓘ Do not approach or put the product into the fire in case of fire or explosion.
- ⓘ Stop using it immediately if abnormal condition occurs.

* We reserves the right of any modification of the product involving design and specification, all the materials here are for your reference only and are subject to the products you received. No further notice be given for any technical parameters changed.

LED MIRROR OPERATION MANUAL T-600LRM

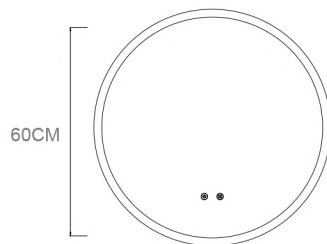


ILLUSTRATE



SPECIFICATIONS

1. LED light with 3500-6500K
2. 5mm glass with safety film
3. Touch sensor switch
4. Defogger pad
5. Aluminum frame
6. SAA plug & power supply
7. Size: Dia 600mm



PACKING LIST



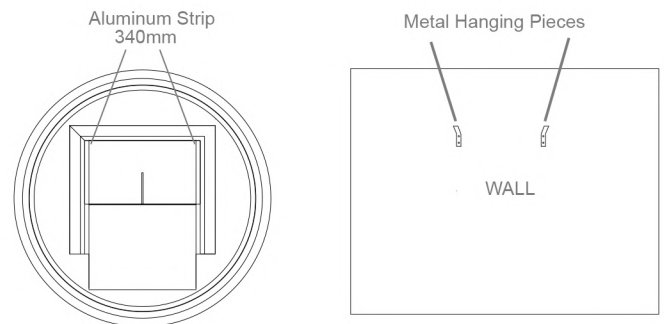
LED Wall-mounted Bathroom Mirror



Instruction Manual

OPERATING INSTRUCTIONS

- ① Please connect the power cord to the power source.
- ② When the mirror is powered on, the two switches light up in white, press the button to control the light, and press the button to control the defogger pad.
- ③ Short press the to turn on/off the LED light and change the light colors.
- ④ The brightness is 100% when it is turned on, long press to adjust the brightness.
- ⑤ Please turn off the power when not in use.



INSTALLATION METHOD

- ① Measure the distance of the aluminum strip behind the mirror with a tape measure.
- ② Mark at the determined installation positions and draw an auxiliary line with a pencil.
- ③ Drill holes at installation positions with an electric drill.
- ④ Hammer the expanded plastic material into the holes.
- ⑤ Take out two metal hanging pieces and use a screwdriver to fix the hanging pieces on the wall with screws.
- ⑥ Connect the power cord to the power source.
- ⑦ Point the aluminum strip at the metal pieces and hang the mirror on the wall.